

SUNGOV**MODEL PFS
PRESSURE FILTERS****DRAWING: PF-01****Features:**

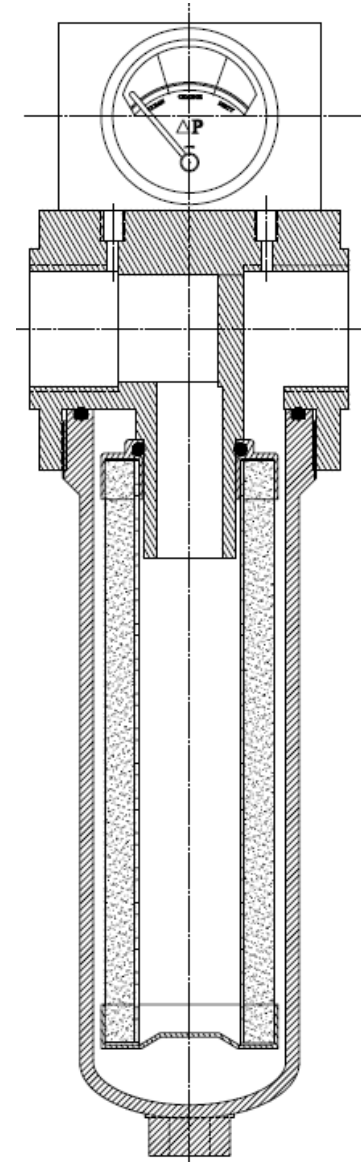
- Absolute rated filter elements*
- Manufactured as per following ISO standards**
 - ISO 2941
 - ISO 2942
 - ISO 3968
 - ISO 16889
- Filter status indicator provided as standard
- O ring sealed design for efficient filtration
- End connection standard: ASME B1.20.1 or ISO 228
- End connection sizes: ½" to 3"
- Filters can be offered with coalescer filter elements (see I-PF-02)

Applications:

- Hydraulic & Lube Oils
- Turbine, Gear and Heavy Duty Oils
- LPG, Natural Gas
- Other Industrial & Process Liquids & Gases

Ordering Example:

PF	W1	S12	04	V	000
A	B	C	D	E	F
A.1. PF A.2. PFX	B.1. W1 B.2. W2 B.3. WN B.4. WC	C.1. S00 C.2. S12 C.3. S13 C.4. S23 C.5. S24 C.6. S25 C.7. S26 C.8. S34 C.9. S35 C.10. S36	When, B=B.1. or B.2.: D.1. 04 D.2. 10 When, B=B.4: D.1. 02 D.2. 05 D.3. 10 D.4. 15 D.5. 20 D.6. 25 D.7. 40 D.8. 50 D.9. 75 D.10. 100 When, B=B.4: D.1. 05	E.1. V E.2. 0	F= 000 to 999

**Legend**

- A – Type of Filter
- B – Type of Filter Media Pack
- C – Filter Size
- D – Micron Rating
- E – Filter Status Indicator
- F – Material Variations

* Only W1 & W2. See legend on I-PF-01

** Subject to applicable exceptions

Copyrights reserved. Subject to change

SUNGOV ENGINEERING PRIVATE LIMITED

K-27 Ambattur Industrial Estate, Chennai-58

P: +91 44 26501404; F: +91 44 26501408

exportsales@sungov.com; www.sungov.com